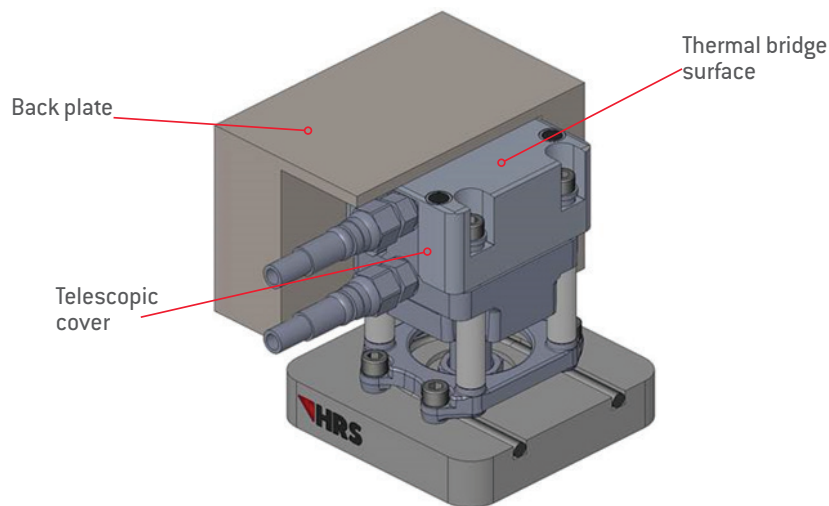
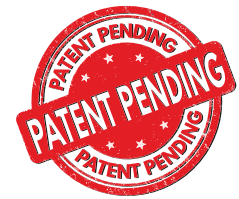


# HRScool *Hydraulic* Cylinder On-Manifold



## DESCRIPTION

HRScool is the innovative solution for hydraulic cylinders where water lines are not required anymore. Designed for thermal insulation optimization, it avoids cooling for the most common makes thermal bridge with the back plate to ease the heat dissipation.

## BENEFITS

- Complete passive cooling a solution
- Does not affect the hot manifold thermal profile
- Easy maintenance: no issues associated with clogged cooling circuits
- Compact solution, reduced cut out of the mold
- No degradation of the hydraulic fluid

## TECHNICAL FEATURES

- Telescopic cover made of highly conductive material
- Wider cover surfaces in contact to back plate to optimize the thermal bridge
- Reduction of the contact surface between the cylinders and the manifold area
- No tightly depth tolerances required
- No pipe layout required for cooling
- Bayonet lock/unlock. Cylinders can be removed leaving the pin in the hot runner system

## NOTE:

For the working temperature please refer to the technical catalogue